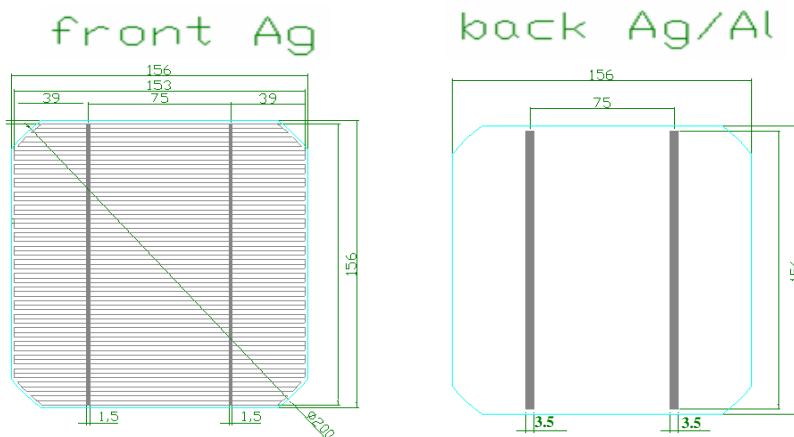


Type	6" monocrystalline cell
Dimension	156 mm × 156 mm ± 0.5 mm
Thickness	≥ 190 μm
Front Side	Silicon nitride anti-reflection-field, 1.5 mm silver busbar
Back Side	Full surface aluminum back-surface-field, 3.5 mm (silver/aluminum) continuous soldering pads

Model	Efficiency	Power	Maximum power current	Maximum power voltage	Short circuit current	Open circuit voltage
	Eff (%)	Ppm (W)	Ipm (A)	Vpm (V)	Isc (A)	Voc (V)
TS-156-140	14.0-15.0	3.46	7.49	0.446	8.52	0.594
TS-156-150	15.0-15.2	3.58	7.58	0.473	8.53	0.617
TS-156-152	15.2-15.4	3.63	7.61	0.477	8.54	0.617
TS-156-154	15.4-15.6	3.68	7.64	0.481	8.54	0.618
TS-156-156	15.6-15.8	3.73	7.68	0.486	8.55	0.618
TS-156-158	15.8-16.0	3.77	7.71	0.490	8.55	0.619
TS-156-160	16.0-16.2	3.82	7.74	0.494	8.56	0.619
TS-156-162	16.2-16.4	3.87	7.77	0.498	8.57	0.619
TS-156-164	16.4-16.6	3.92	7.80	0.502	8.58	0.620
TS-156-166	16.6-16.8	3.97	7.84	0.506	8.58	0.620
TS-156-168	16.8-17.0	4.01	7.89	0.509	8.58	0.621
TS-156-170	17.0-17.2	4.06	7.94	0.511	8.59	0.621
TS-156-172	17.2-17.4	4.11	8.01	0.513	8.64	0.622
TS-156-174	17.4-17.6	4.16	8.09	0.514	8.72	0.622
TS-156-176	17.6-17.8	4.20	8.19	0.513	8.82	0.622
TS-156-178	17.8-18.0	4.25	8.29	0.513	8.90	0.622
TS-156-180	18.0-18.2	4.30	8.36	0.514	8.95	0.623
TS-156-182	18.2-18.4	4.35	8.43	0.516	9.00	0.625

* Under standard test condition : 1000 W/m², AM 1.5 G 25°C



Ver. G

Top Green Energy Technologies Inc.
NO.330 , Hsing Rd. Jhunan Towership ,
Miaoli Country 350 , Taiwan (R.O.C)
TEL : 886-37-580011 FAX :886-37-581200
E-mail: sales@tgenergy.com.tw
<http://www.tgenergy.com.tw/>